

Compact Portable Filter Cart ° Type SCFC


Product Description

The STAUFF Compact Filter Cart (SCFC) is a very compact, light and handy filter cart, offering excellent service for maintenance departments. The carts assembled with a single or double Spin-on head allow the use of various elements from 3 µm absolute to 125 µm wire mesh. The SCFC can be used for off line filtration or as a transfer unit.

Technical Data

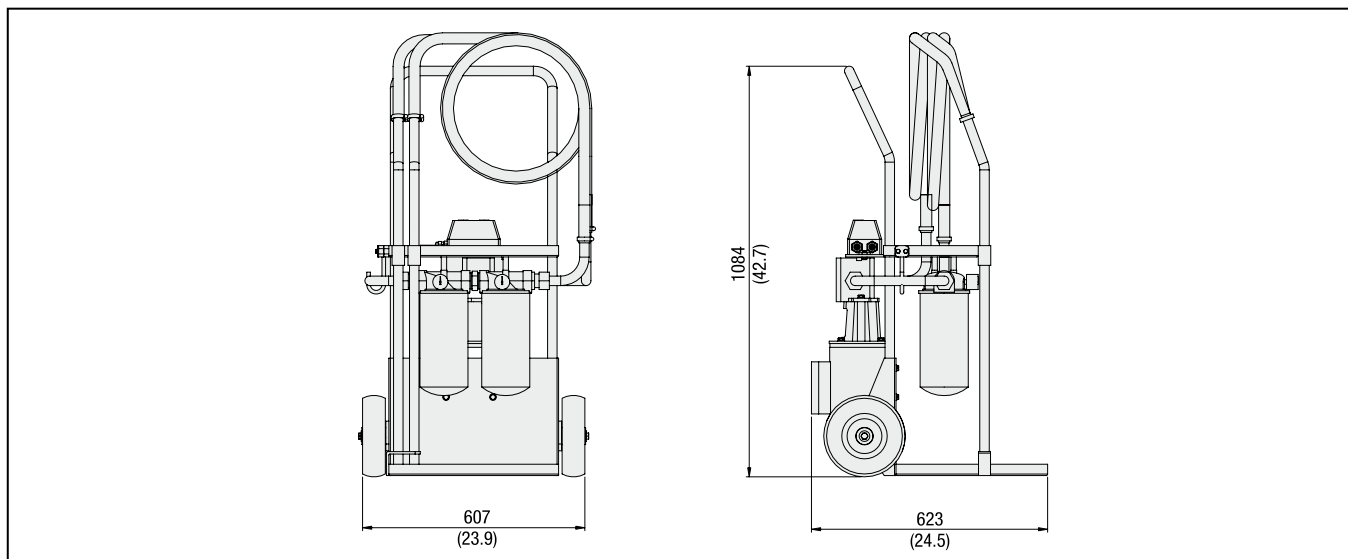
- ° Flow 19 l/min / 5 US GPM up to 38 l/min / 10 US GPM
- ° Electric motor single phase or three phases 1 HP
- ° Thermal overload relays
- ° Welded frame with tool tray epoxy coated
- ° Compact suction strainer
- ° Soeical flexible hoses reinforced with internal spiral, length 3,05 m / 10 ft
- ° Filter head with by-pass valve integrated
- ° Visual clogging indicator
- ° Weight: 53 kg / 177 lbs.

Options

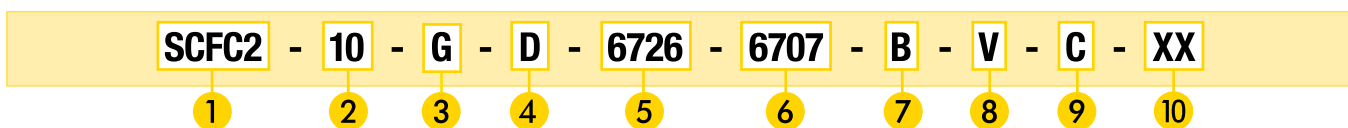
- ° Single or dual stage filtration
- ° Gear pump or vane pump
- ° Electric motor standard: IEC or CSA/NEMA
- ° Filter elements: 10 or 25 µm (in paper), 3, 6, 12 or 25 µm β200 (Inorganic Glass Fiber) or 125 µm (Stainless wire mesh)
- ° Water absorption filter elements

Note: For special applications (fluids, temperature, etc.) please contact your local STAUFF distributor.

Dimensions SCFC



Compact Portable Filter Cart ° Type SCFC



1 Type

STAUFF Compact Portable Filter Cart **SCFC2**

2 Flow

38 l/min / 10 US GPM (standard option) **10**
 19 l/min / 5 US GPM **5**

3 Pump Types

Gear Pump (standard option) **G**
 Vane Pump **V**

4 Filter Head

Double head (parallel) (standard option) **D**
 Single head **S**
 2x single heads (series) (standard option) **2S**

5 Stage 1 Filter Element

Without filter element **0000**
 Synthetic 3 µm B200 **6704**
 Synthetic 6 µm B200 **6707**
 Synthetic 12 µm B200 **6731**
 Synthetic 25 µm B200 **6726**
 Paper 10 µm **6721**
 Paper 25 µm **6711**
 Water absorbing 10 µm **6721-W**
 Stainless Steel wire mesh 144 µm **6791**

6 Stage 2 Filter Element (only for Filter Head Option 2S)

With D or S filter head option **none**
 Without filter element **0000**
 Synthetic 3 µm B200 **6704**
 Synthetic 6 µm B200 **6707**
 Synthetic 12 µm B200 **6731**
 Synthetic 25 µm B200 **6726**
 Paper 10 µm **6721**
 Paper 25 µm **6711**
 Water absorbing 10 µm **6721-W**
 Stainless Steel wire mesh 144 µm **6791**

7 Sealing Material

NBR (Buna-N®) (standard option) **B**
 FPM (Viton®) **V**

8 Contamination Indicator

Without indicator **0**
 Visual indicator (standard option) **V**

9 Electric Motor Voltage

220 V AC @ 60 Hz - Three phases **A**
 110 V AC @ 50 Hz - Single phase **B**
 110 V AC @ 60 Hz - Single phase (standard option) **C**
 230 V AC @ 50 Hz - Single phase **D**
 230 V AC @ 60 Hz - Single phase **E**
 400 V AC @ 50 Hz - Three phases **F**
 400 V AC @ 60 Hz - Three phases **G**
 440 V AC @ 50 Hz - Three phases **H**
 440 V AC @ 60 Hz - Three phases **F**
 Special voltages on request **X**

10 Special Configuration